



PANEL FASTENERS

For the use in modern fabrications panel fasteners comes in all different shapes, material and thread sizes. State enterprises keeps all types of panel fasteners as per customer specific requirements. Panel fasteners are designed to help keep parts to a minimum risk associated with loose hardware that could fall out and damage the internal components. Panel fasteners are hence used to attach metal parts or components in applications where subsequent access is necessary.

S L Fasteners Pvt. Ltd.

Plot No 322, Phase 4, Sector 57

HSIIDC Industrial India, Kundli-131028, Sonipat,
Haryana, INDIA

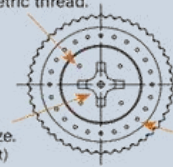
inquiry@rivetsindia.com / 74969 78005

PF 11 PANEL FASTENERS

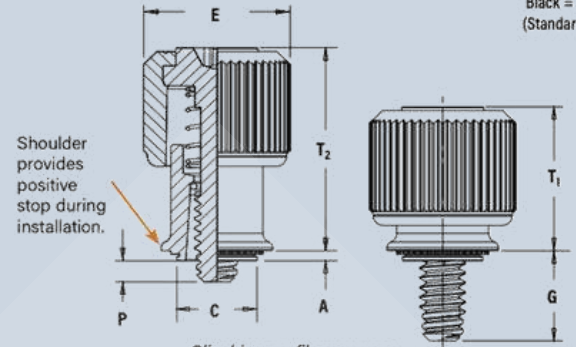


Dimples on head designate metric thread.

Phillips driver size. (See chart)



Black = B (Standard)



All dimensions are in inches.

Thread Size	Type	Thread Code	Screw Length Code	A Max.	Min. Sheet Thickness	Hole Size in Sheet + .003 - .000	CMax.	E± .010	G± .025	P± .025	T ₁ Nom.	T ₂ Nom.	Driver Size	Min. Dist. Hole To Edge
	Knurled Cap													
.112-40 (#4-40)	PF11	440	0	.036	.036	.219	.218	.417	.170	.000	.310	.450	#1	.28
			1											
			2											
.138-32 (#6-32)	PF11	632	0	.036	.036	.250	.249	.450	.230	.000	.450	.640	#2	.29
			1											
			2											
.164-32 (#8-32)	PF11	832	0	.036	.036	.312	.311	.514	.230	.000	.450	.640	#2	.33
			1											
			2											
.190-32 (#10-32)	PF11	032	0	.036	.036	.312	.311	.514	.230	.000	.450	.640	#2	.33
			1											
			2											
.250-20 (1/4-20)	PF11	0420	0	.036	.036	.375	.374	.575	.290	.000	.530	.790	#3	.46
			1											
			2											

All dimensions are in millimetres.

Thread Size x Pitch	Type	Thread Code	Screw Length Code	A Max.	Min. Sheet Thickness	Hole Size in Sheet + 0.08	CMax.	E± 0.25	G± 0.64	P± 0.64	T ₁ Nom.	T ₂ Nom.	Driver Size	Min. Dist. Hole To Edge
	Knurled Cap													
M3 x 0.5	PF11	M3	0	0.92	0.92	5.56	5.54	10.59	4.32	0	7.87	11.43	#1	7.11
			1											
			2											
M3.5x0.6	PF11	M3.5	0	0.92	0.92	6.35	6.33	11.43	5.84	0	11.43	16.26	#2	7.37
			1											
			2											
M4 x 0.7	PF11	M4	0	0.92	0.92	7.92	7.9	13.06	5.84	0	11.43	16.26	#2	8.38
			1											
			2											
M5 x 0.8	PF11	M5	0	0.92	0.92	7.92	7.9	13.06	5.84	0	11.43	16.26	#2	8.38
			1											
			2											
M6 x 1	PF11	M6	0	0.92	0.92	9.53	9.5	14.61	7.37	0	13.46	20.07	#3	11.68
			1											
			2											